

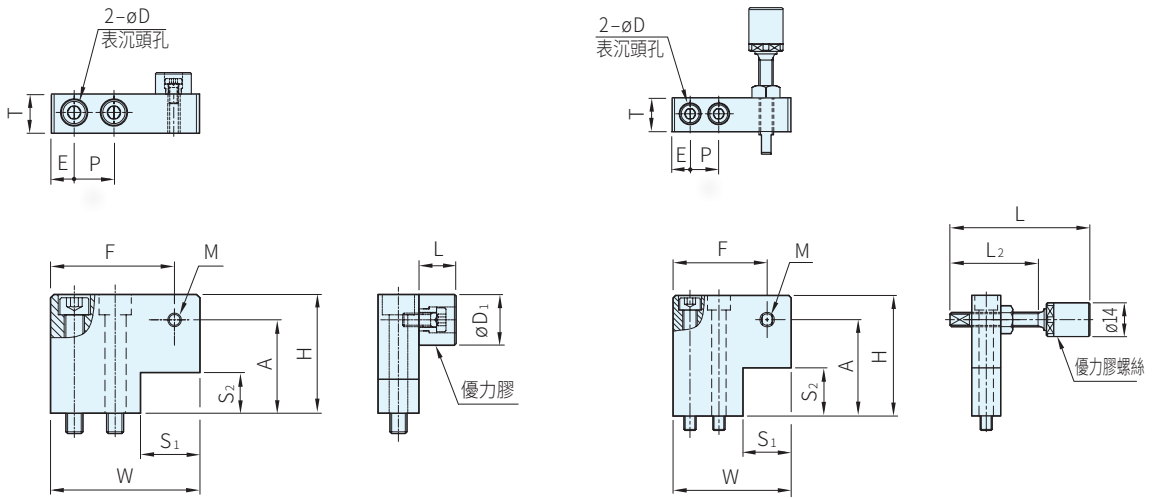
RoHS



本體		螺絲		優力膠		硬度
材質	處理	材質	處理	材質		
SS400	染黑	SCM435	染黑	WAT-SBU 15 20 25	WAT-SBUH 6 8	Shor A90
SUS304	-	SUSXM7	-			

WAT-LSFU

WAT-LSFN-U



鐵		不銹鋼		線軌 尺寸	對應廠商產品			W	H	A	E	F	S ₁	S ₂	P	T	M	D	附屬品 螺絲	D ₁	L
品號	庫存	品號	庫存		IKO	NSK	THK														
WAT-LSFU-01	△	WAT-LSFU-01S	△	15	-	-	SRS15M	30	22.5	7	36.5	15	11	16	12	M4	5.5	M5×35	15	11	
WAT-LSFU-02	△	WAT-LSFU-02S	△		LWH15	LS15AL · LS15AN	HSR15A														
WAT-LSFU-03	△	WAT-LSFU-03S	△	20	-	-	SRS20M	44	25.0	7	34.0	17.5	12	12	12	M5	5.5	M5×40	20	13	
WAT-LSFU-04	△	WAT-LSFU-04S	△		LWH20	LS20AL · LS20AN	HSR20A														
WAT-LSFU-02	△	WAT-LSFU-02S	△	25	-	-	SRS25M	38	30.5	7	36.5	15	16	16	16	M4	5.5	M5×40	15	11	
WAT-LSFU-05	△	WAT-LSFU-05S	△		LWH25	LS25AL · LH25AL	HSR25A														
WAT-LSFU-06	△	WAT-LSFU-06S	△	30	LWH30	LS30AL · LH30AL	HSR30A	65	65	52.5	10	52.5	25	27	20	16	M5	6.6	M6×55	20	13
WAT-LSFU-07	△	WAT-LSFU-07S	△		LWH35	LS35AL · LH35AL	HSR35A														

鐵		不銹鋼		線軌 尺寸	對應廠商產品			W	H	A	E	F	S ₁	S ₂	P	T	M (細牙)	D	附屬品 螺絲		
品號	庫存	品號	庫存		IKO	NSK	THK														
WAT-LSFN-01-U	△	WAT-LSFN-01S-U	△	15	-	-	SRS15M	30	23.5	7	37.0	15	11	16	12	M6×P0.75	5.5	M5×35	15	11	
WAT-LSFN-02-U	△	WAT-LSFN-02S-U	△		LWH15	LS15AL · LS15AN	HSR15A														
WAT-LSFN-03-U	△	WAT-LSFN-03S-U	△	20	-	-	SRS20M	44	27.5	7	37.0	17.5	12	12	12	M8×P1.0	5.5	M5×40	20	13	
WAT-LSFN-04-U	△	WAT-LSFN-04S-U	△		LWH20	LS20AL · LS20AN	HSR20A														
WAT-LSFN-02-U	△	WAT-LSFN-02S-U	△	25	-	-	SRS25M	38	31.5	7	37.0	15	16	16	16	M6×P0.75	5.5	M5×40	15	11	
WAT-LSFN-05-U	△	WAT-LSFN-05S-U	△		LWH25	LS25AL · LH25AL	HSR25A														
WAT-LSFN-06-U	△	WAT-LSFN-06S-U	△	30	LWH30	LS30AL · LH30AL	HSR30A	65	65	49.5	10	54.5	25	27	20	16	M8×P1.0	6.6	M6×55	20	13
WAT-LSFN-07-U	△	WAT-LSFN-07S-U	△		LWH35	LS35AL · LH35AL	HSR35A														

Ps. 備註

- L, L₂尺寸請參考WAT-SBUH
- 使用在線軌的防脫落和位置定位
- 附優力膠型可消除衝擊音量

Wa. 注意

- 以上產品是本公司自訂規格；記載之對應廠商產品，請貴客戶自行確認

訂貨： 交期： 天

WAT-LSFU-01